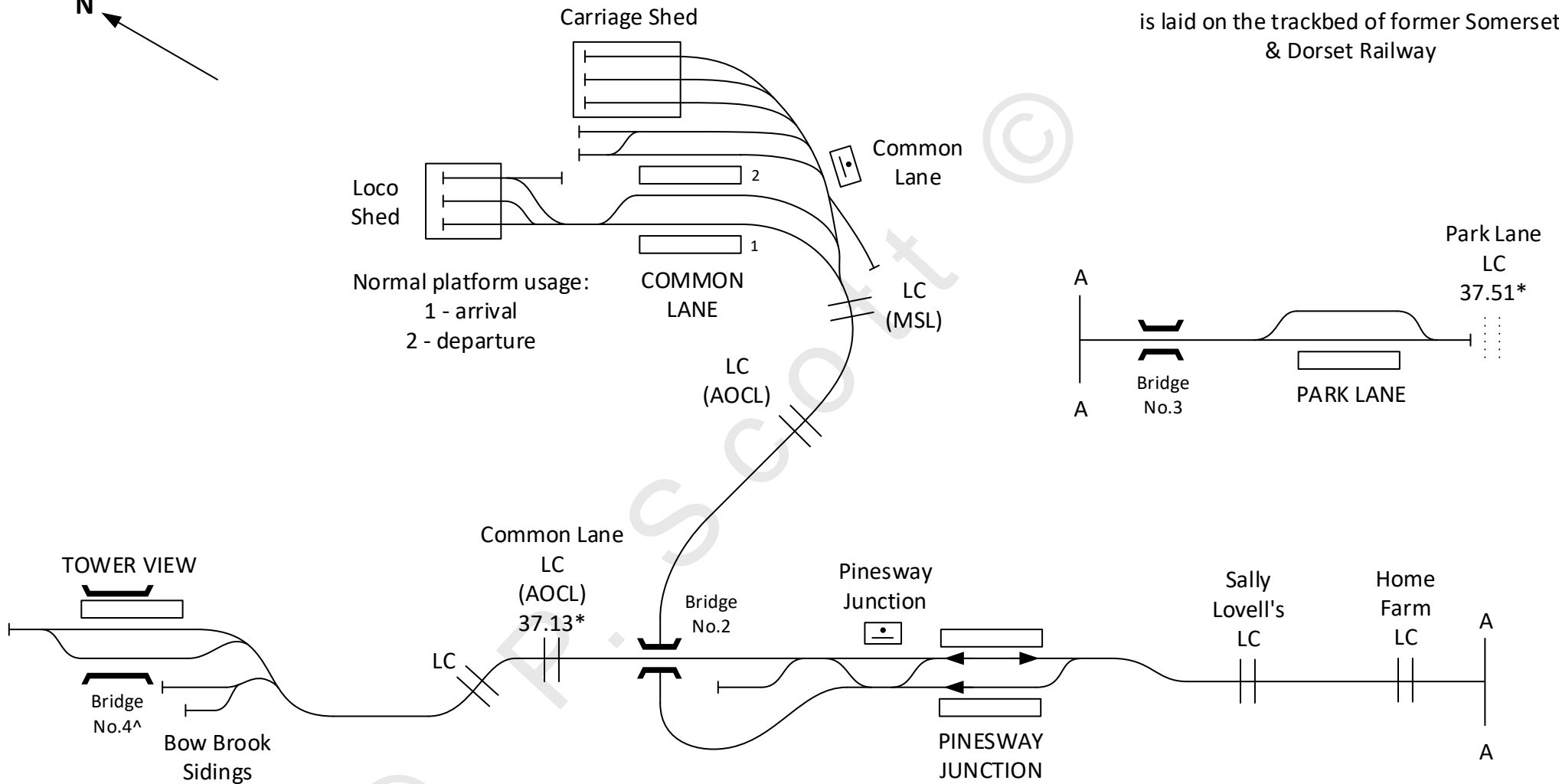


Between Tower View and Park Lane railway is laid on the trackbed of former Somerset & Dorset Railway



^ Former Somerset & Dorset Railway Bridge No.156

\* Former Somerset & Dorset Railway mileage

# GARTELL LIGHT RAILWAY, TEMPLECOMBE

27-05-19

© P. Scott

2' 0"